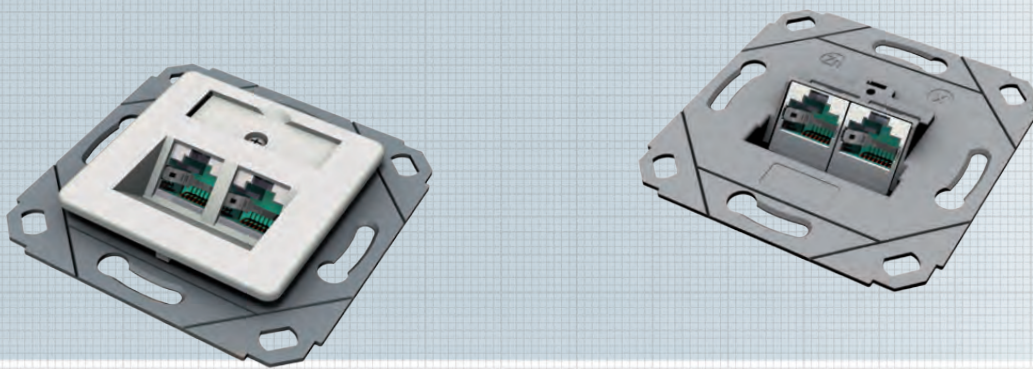


Designable data outlet SL empty, 45° exit, single, double

IN STOCK



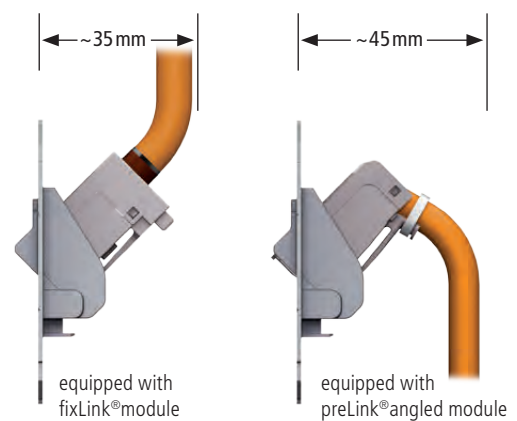
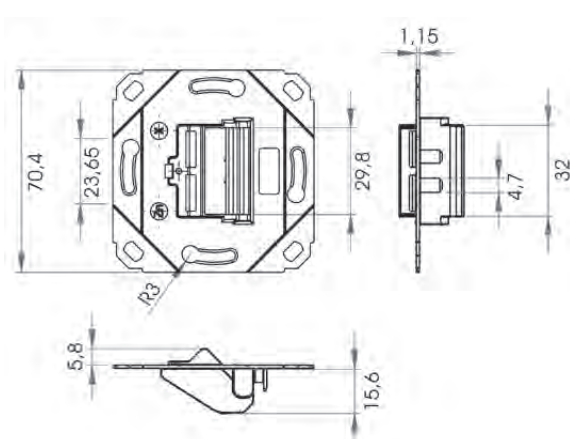
Keystone modules are not included!

The designable data outlet is made of a die-cast zinc frame. It is suitable for installation in a cable channel (IC), for flush mounting (FM) as well as for surface mounting (SM) using a separate frame. Breaking of two mounting tabs also makes floor tank assembly (FT) possible. The multi-design data outlet can be combined with nearly all switch ranges on the market.

You can find a compatibility list at www.easylan.de.

Properties:

Material	Data outlet: Die-cast zinc white, similar to RAL 9010
Color cover plate	Central plate 50 x 50 mm,
Mounting	<ul style="list-style-type: none"> • preLink® angled • fixLink®
Range of application	Installation in cable duct, flush or surface mounting, can be combined with all VAE central plates from common switch manufacturers
Packaging unit	5 pieces per box



Description	Ordering Code
Designable data outlet (without cover plate), single, double	CKVD1DS
Designable data outlet (with cover plate), single	CKVD1D2
Designable data outlet (with cover plate), double	CKVD1D1